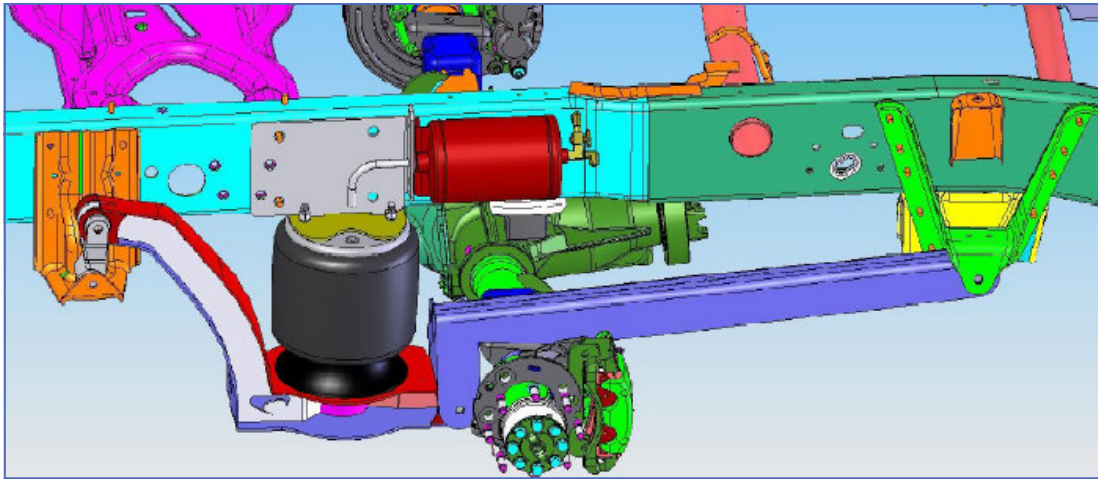


Mobile Prodigy "Aero"

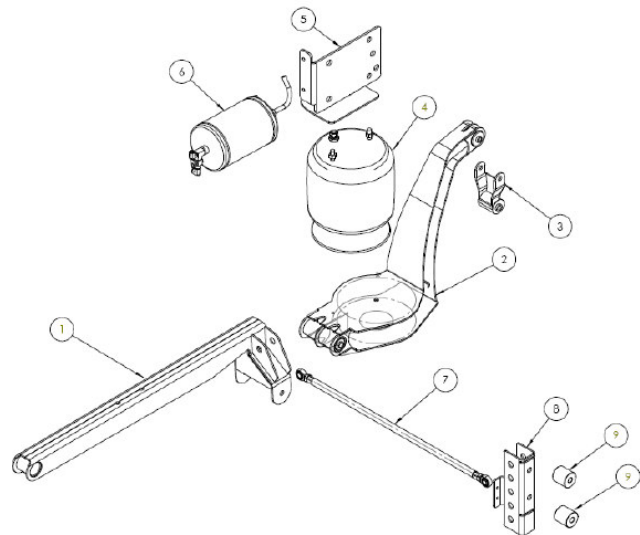
Air Suspension

The best ride possible



Mobile Prodigy "Aero" comes standard with an SVS exclusive, precision-tuned rear air suspension to provide the absolute best ride possible. When combined with the specialized GE® Prodigy™ mobile mounting frame, you can count on years of trouble free operation—even with the harshest roadways.

FEATURE	BENEFIT
Reliable air spring technology replaces hard steel leaf springs	Maximum ride comfort - empty or loaded
Kneeling function	Enables quick 5th wheel/towing engagement
Complete 4 wheel tuned system	Maximum control and soft ride for all loads
Accented rear lever arm design	Rugged and powerful look
Anti-dive design	Reduces braking distances
Bolts on using existing frame holes	Easy installation, no frame changes
Automatic leveling	Hands-free operation
In-Cabin air pressure indicator and controls	System status and load information at your fingertips
Patent Pending trailing arm/lever arm design	Reduces lateral sway, axle wind-up, wheel hopping, bucking, and oversteering
Superior designed/engineered and built	5-year limited warranty, the best in its class



Mobile Prodigy "Aero" is a GE® preferred partner mobile solution managed by:

SVS

Specialty Vehicle Services, LLC.
 W196 S8406 Plum Creek Blvd.
 Muskego, Wisconsin 53150-8170
 P: 262.679.9096
 F: 262.670.2066
 sales@mobilelunar.com

© 2007 Specialty Vehicle Services, LLC.—All rights reserved.

Specialty Vehicle Services, LLC. reserves the right to make changes in specifications and features shown herein, or discontinue the product at any time without notice or obligation.

Contact your GE® or SVS® representative for the most current information.

www.mobilelunar.com

Literature Version: 1.5
 Released: 16-Oct-07

